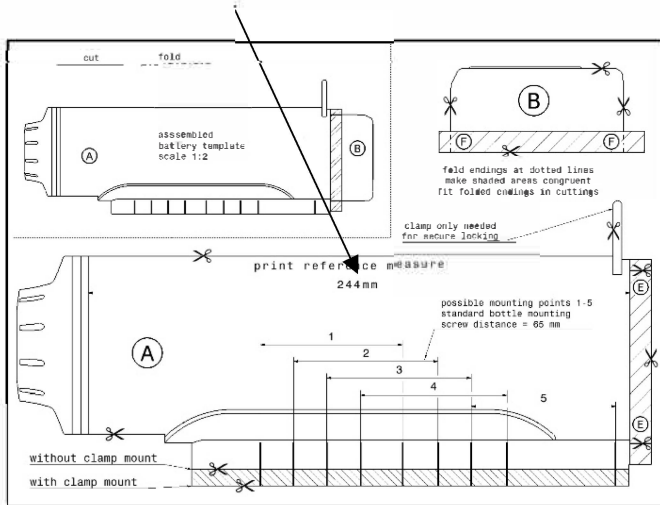


# Battery template [300Wh]

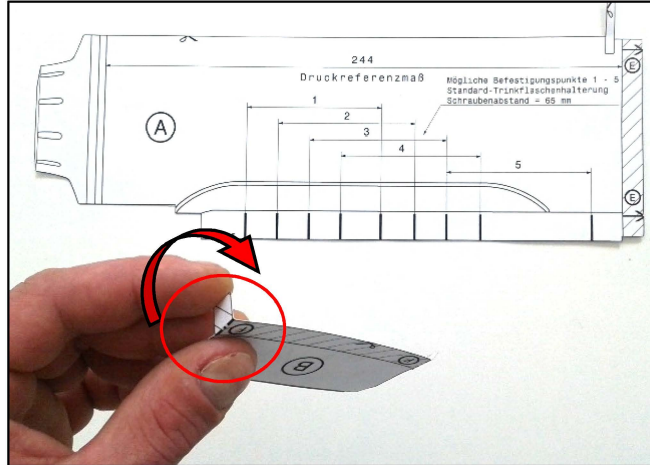
## 1. Print

- print setting - „real size“
- paper weight preferably 220 g/m<sup>2</sup>
- control of correct print with reference measure (244 mm)



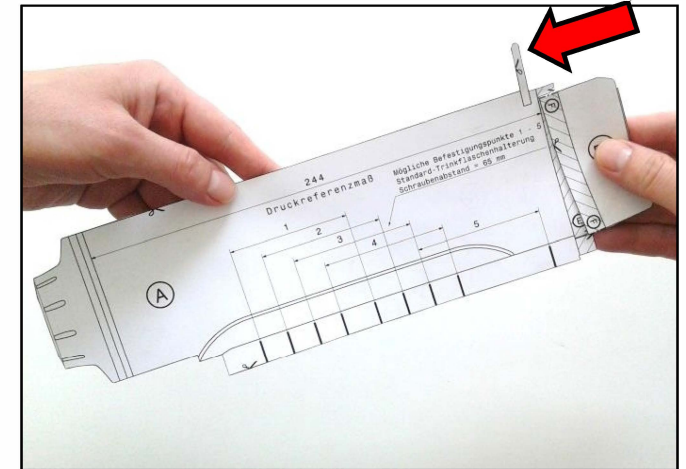
## 2. Cut out A, B, cut in E

- ### 3. Folding B on mark F
- (dashed-dotted-lines)



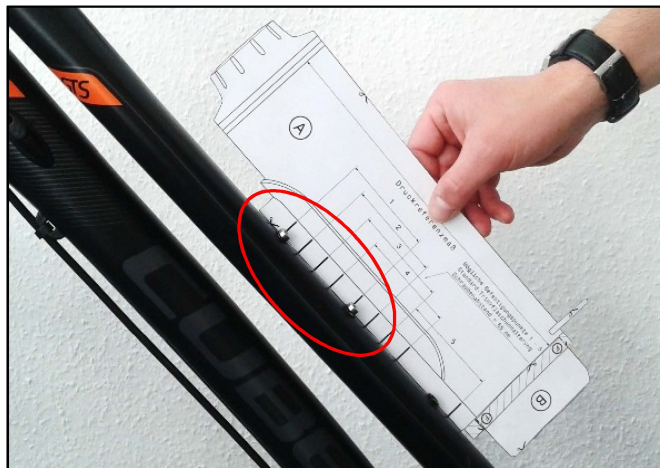
## 4. Combine A and B

- shaded areas congruent
- needed space for battery removal from holder already integrated in the template



## 5. Checking the position on frame

- possible mounting points 1-5

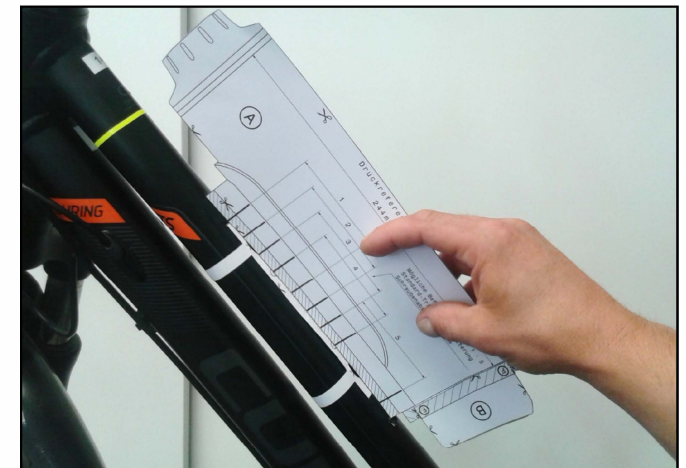


example position 1



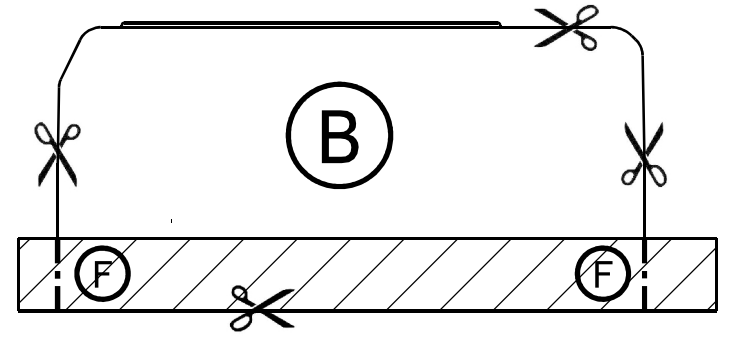
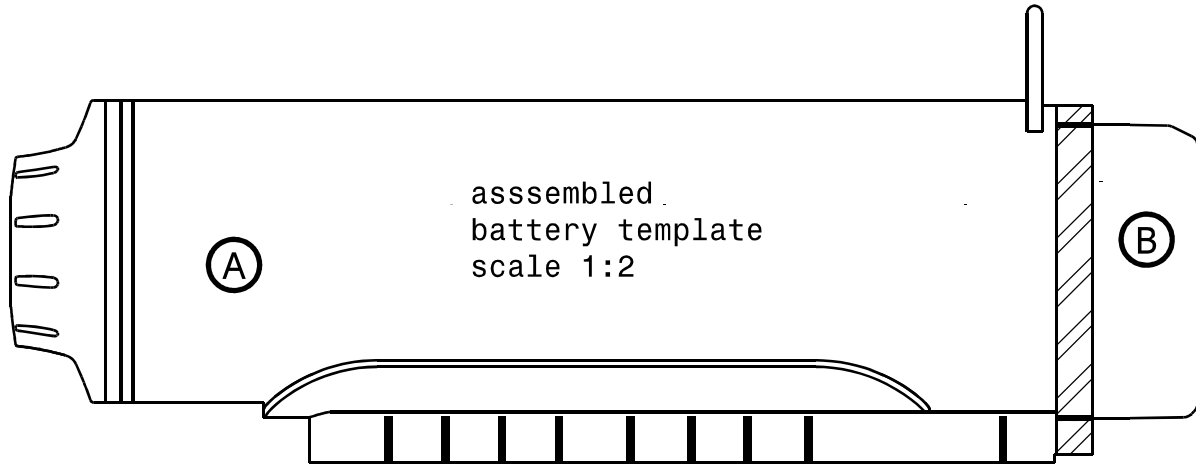
example position 5

## 6. Checking the position on frame with clamp mount



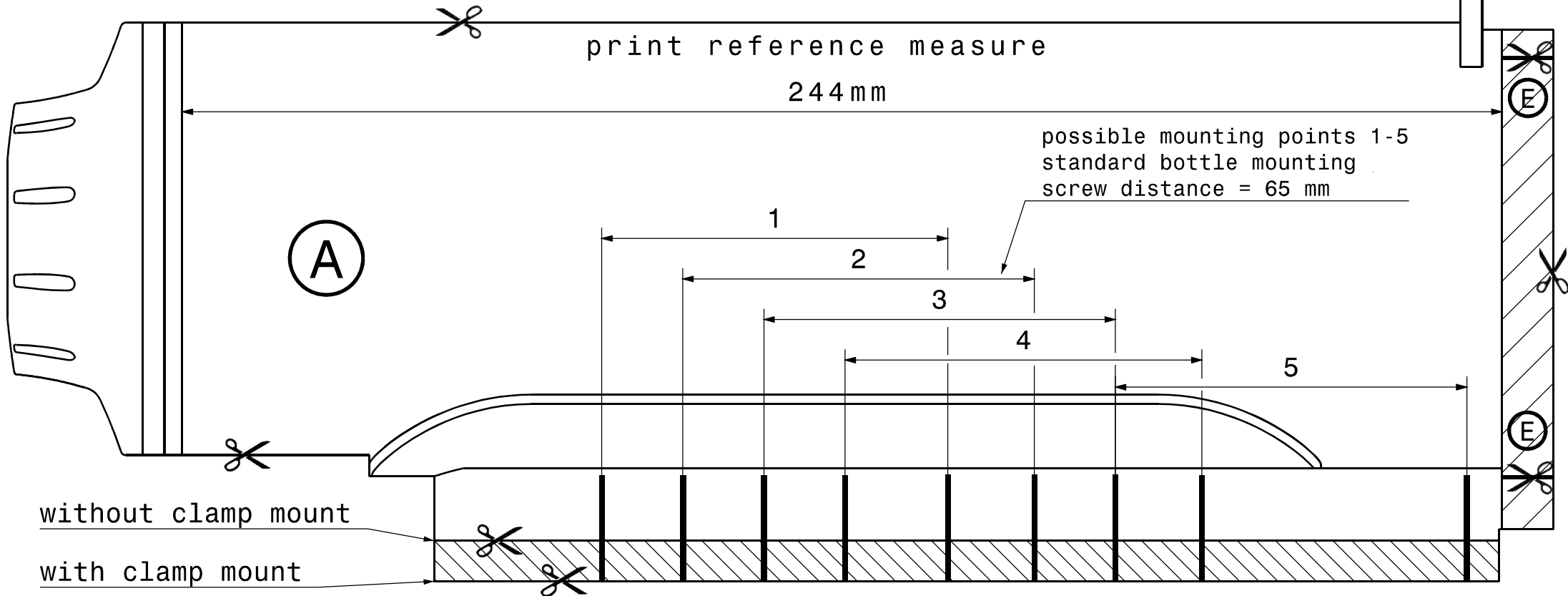
cut

fold



fold endings at dotted lines  
make shaded areas congruent  
fit folded endings in cuttings

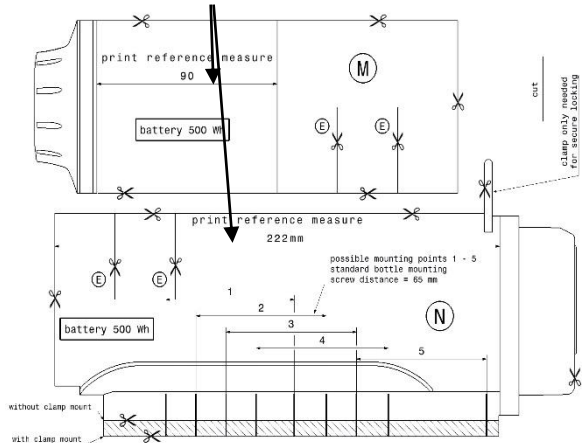
clamp only needed  
for secure locking



# Battery template [500Wh]

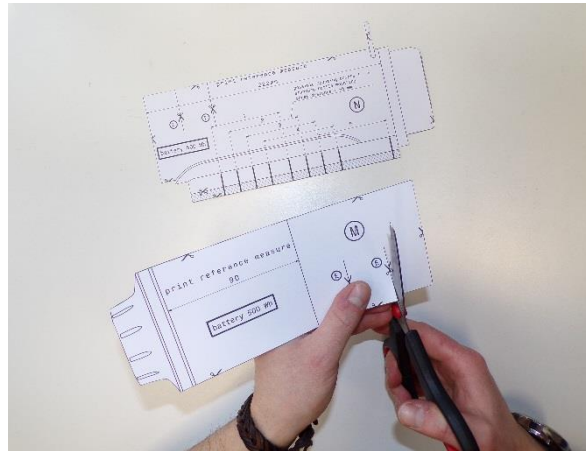
## 1. Print

- print setting – „real size“
- paper weight preferably 220 g/m<sup>2</sup>
- control of correct print with reference measure (90/222 mm)



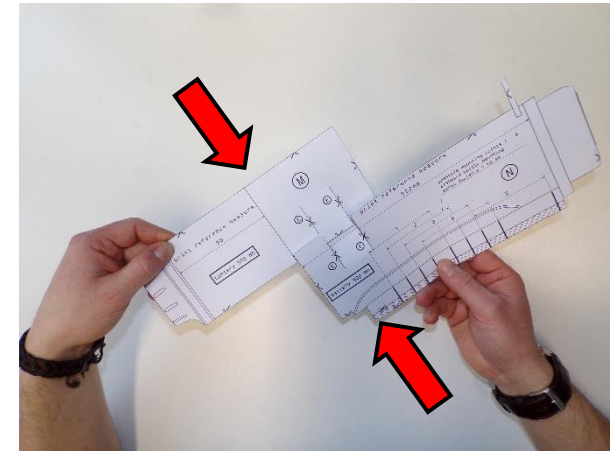
## 2. Cut out M and N

## 3. Cut in E



## 4. Combine M and N

- Fit together M and N in E
- needed space for battery removal from holder already integrated in the template

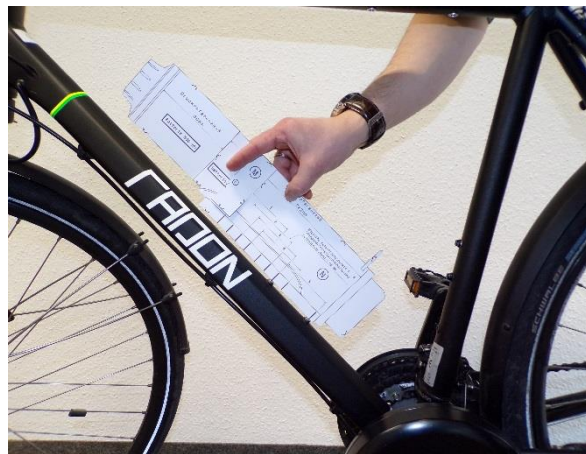


## 5. Checking the position on frame

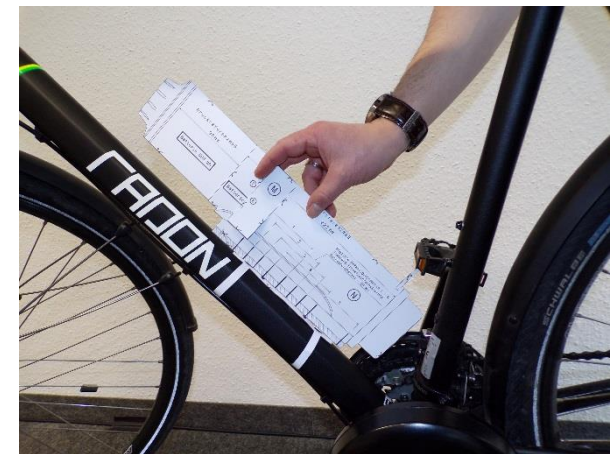
- possible mounting points 1-5



*example position 3*



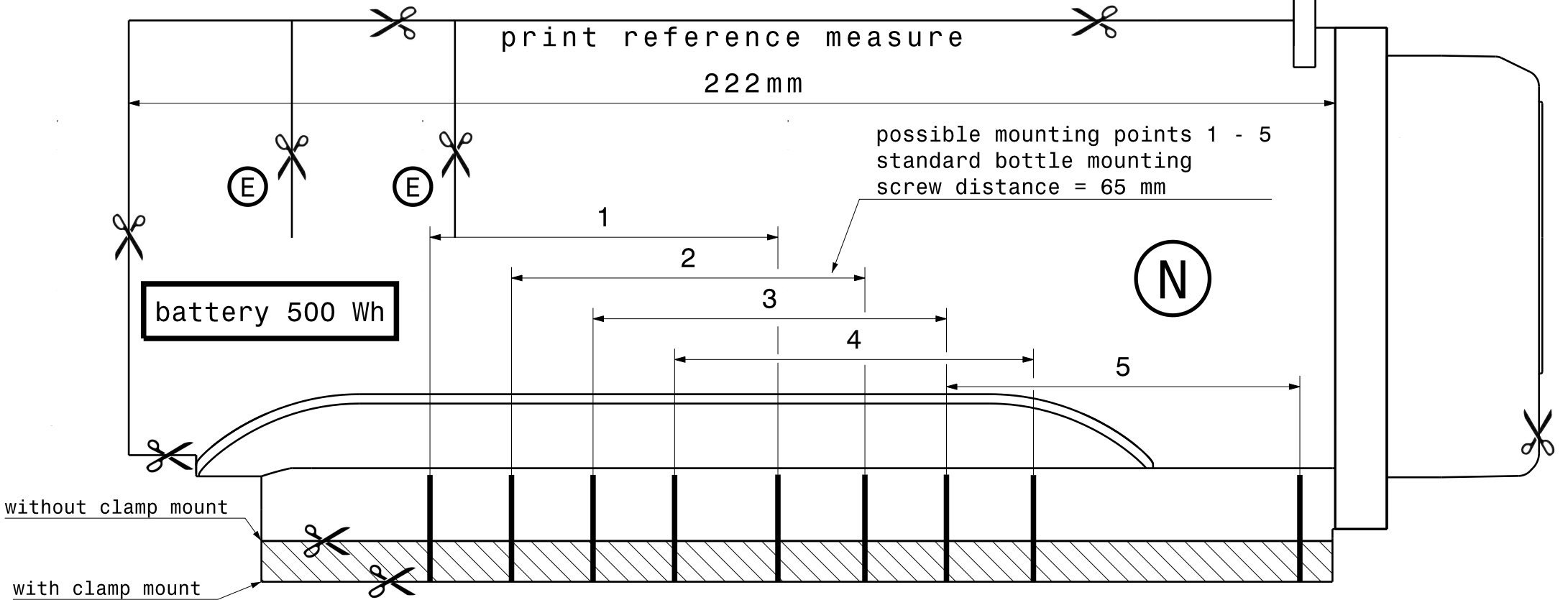
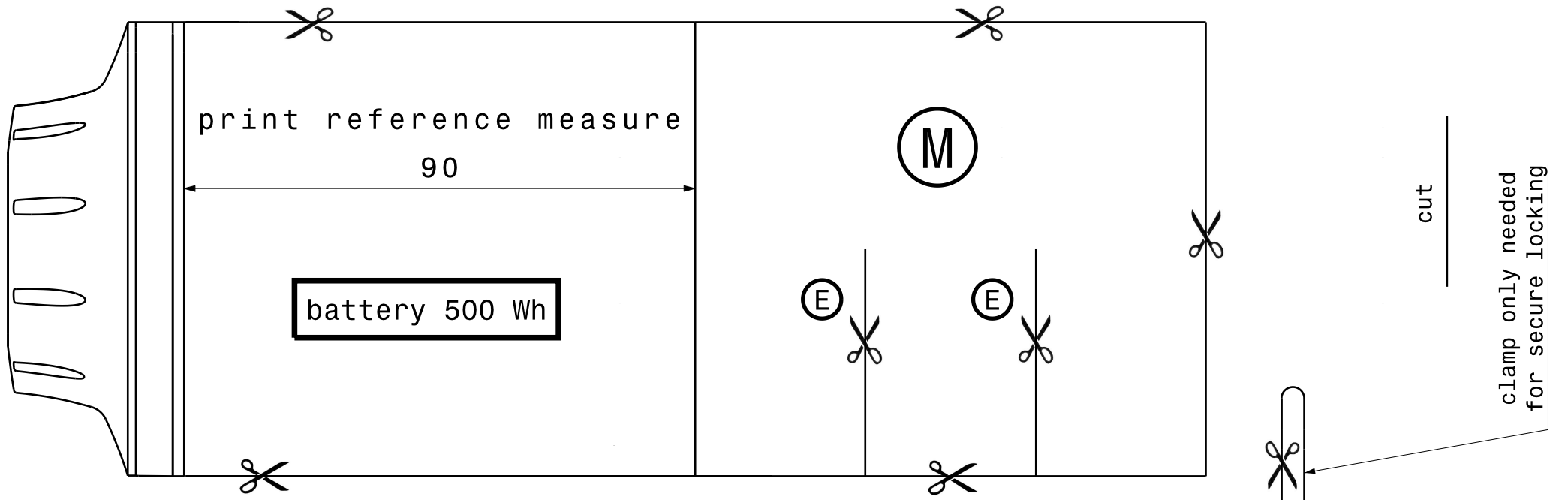
*example position 5*



*example position 4*

## 6. Checking the position on frame with clamp mount

- possible mounting points 1-5

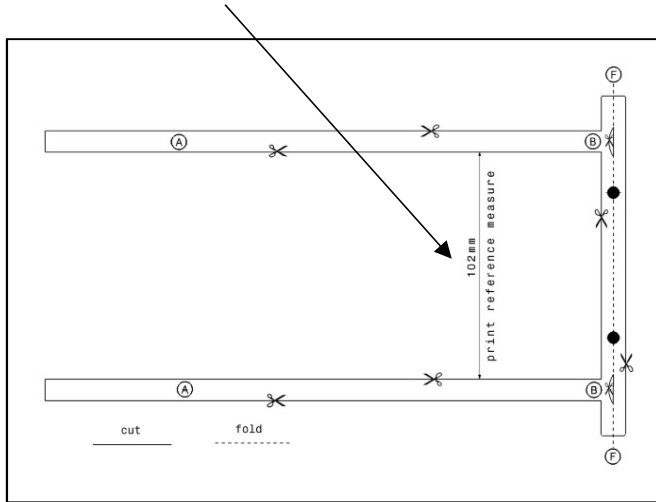




# Clamp mount template

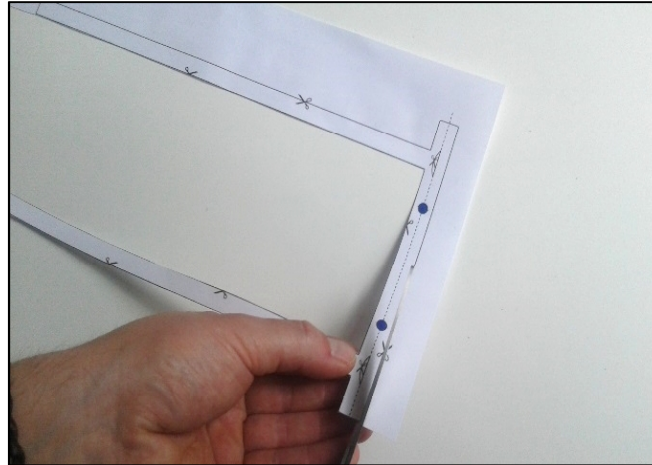
## 1. Print

- print setting - „real size“
- paper weight preferably 220 g/m<sup>2</sup>
- control of correct print with reference measure (102 mm)



## 2. Cut out clamp mount template

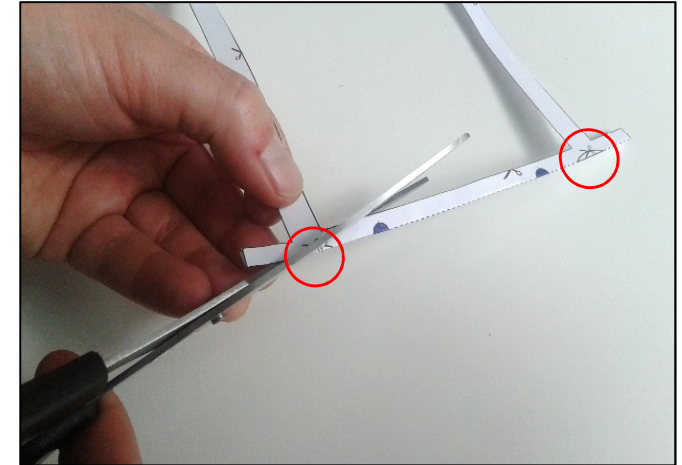
- cut out template A



## 3. Folding A on mark F

(dashed-line)

## 4. Cut out on mark B

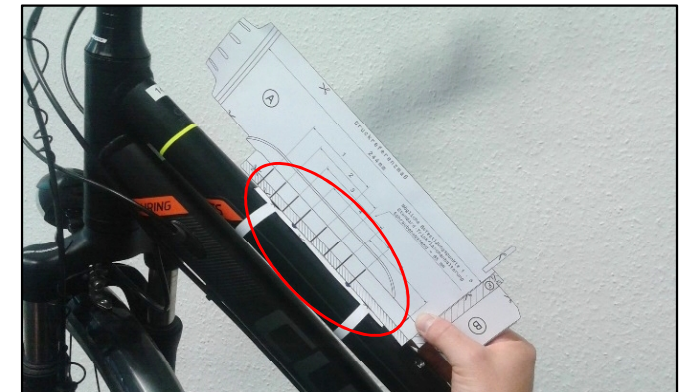
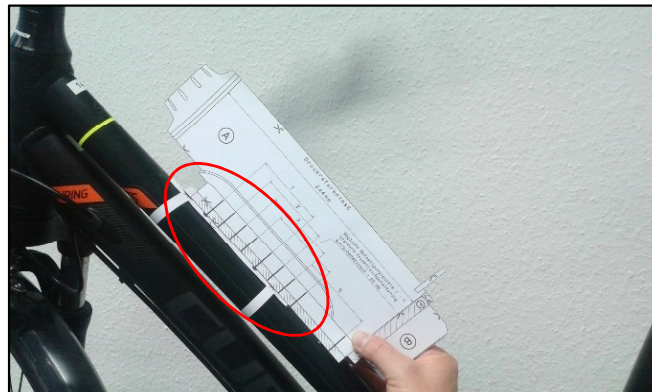


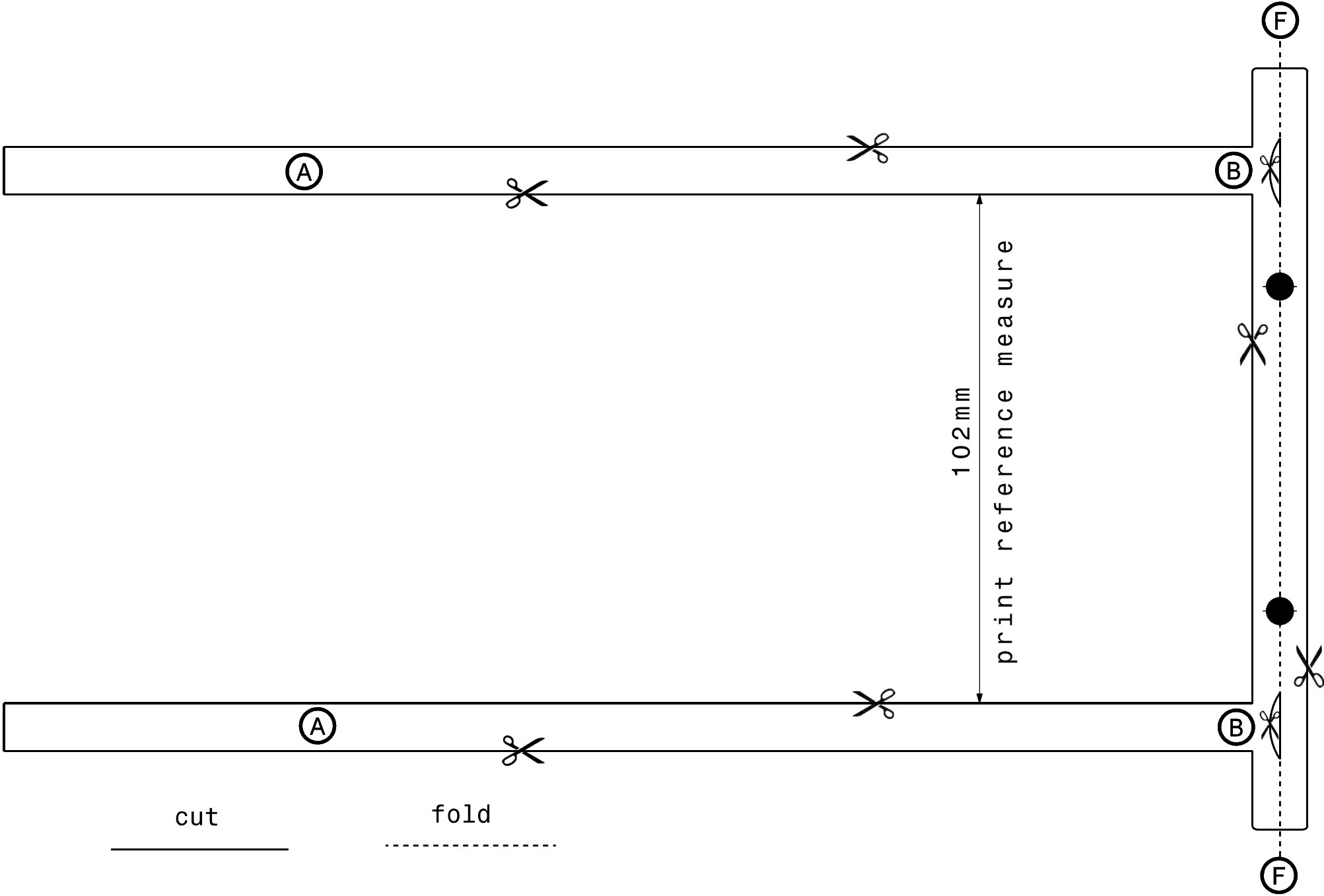
## 5. Positioning clamp mount template

- hold the template at the favored position
- pull the strap endings through the sliced holes

## 5. Checking position on frame

- possible positions 1-5





cut

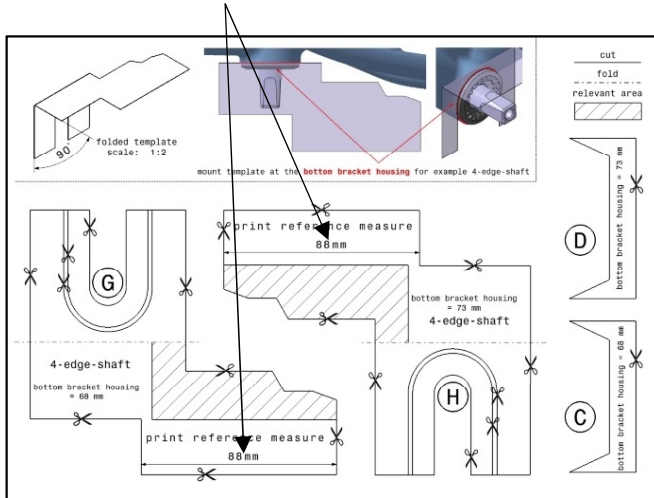
fold

102mm  
print reference measure

# Motor template

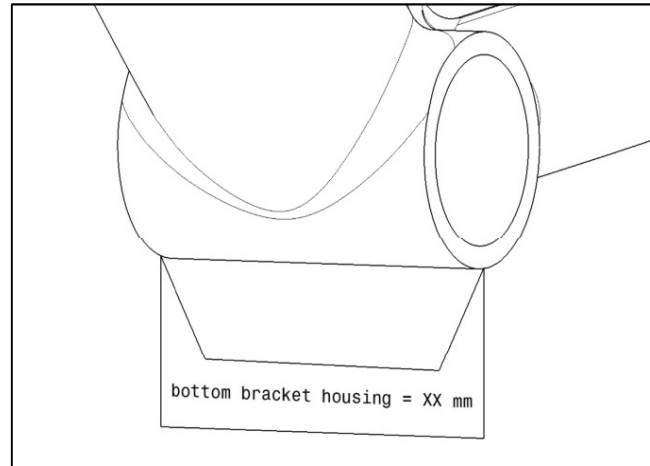
## 1. Print

- print setting - „real size“
- paper weight preferably 220 g/m<sup>2</sup>
- control of correct print with reference measure (88 mm)



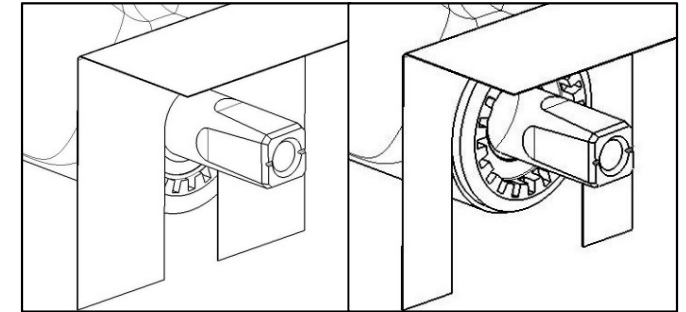
## 2. Cut out template bottom bracket housing

- cut out template **C and D**
- check bottom bracket width



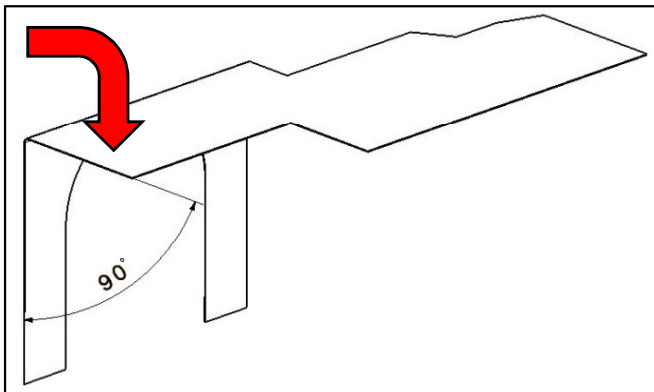
## 3. Cut out template motor

- Cut out template **G or H dependig on bottom bracket width**
- shaft without overcoming sleeve → cut out smallest radius
- shaft with overcoming sleeve without flange → cut out middle radius
- shaft with overcoming sleeve with flange → cut out biggest radius



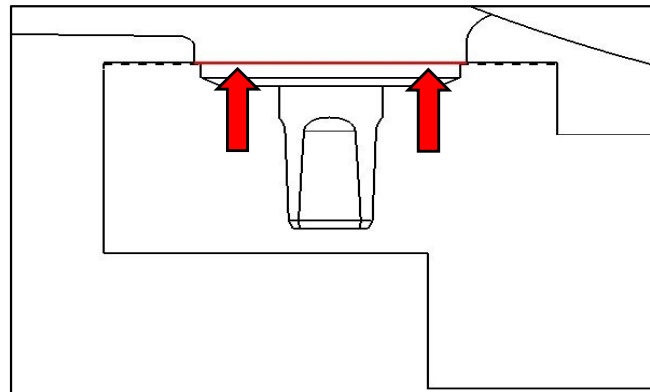
## 4. Folding

- in right angular on dashed-dotted-line



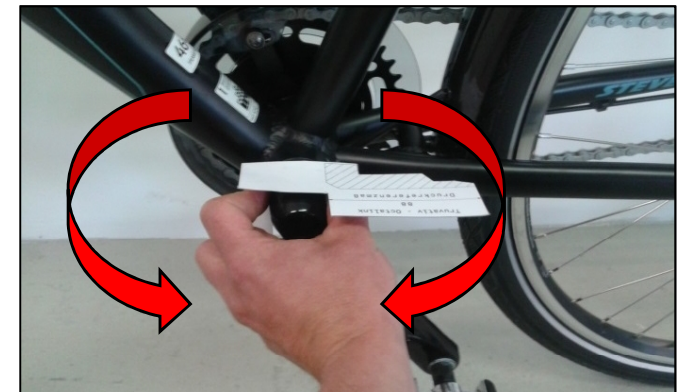
## 5. Positioning on frame

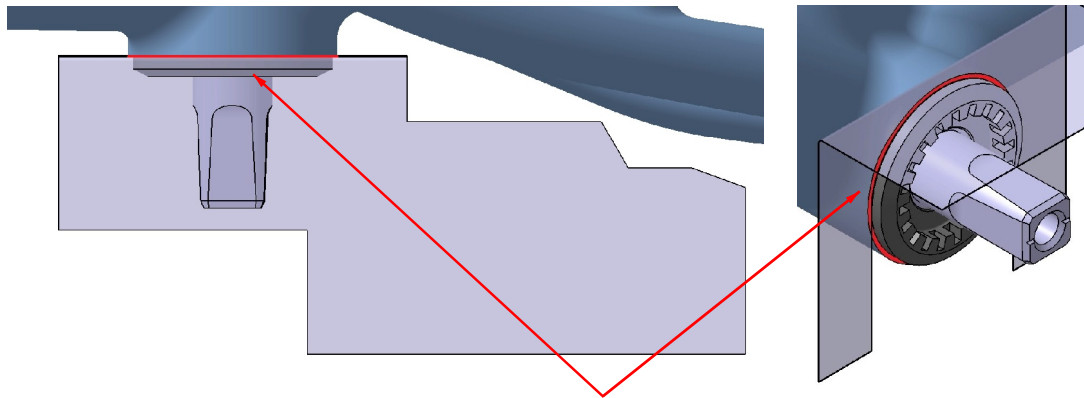
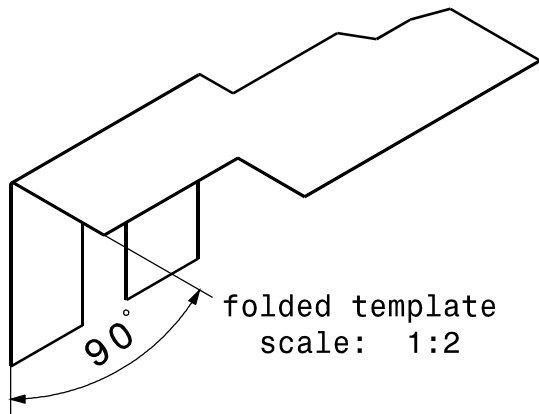
- apply directly on **bottom bracket housing**
- press on both sides for parallelity



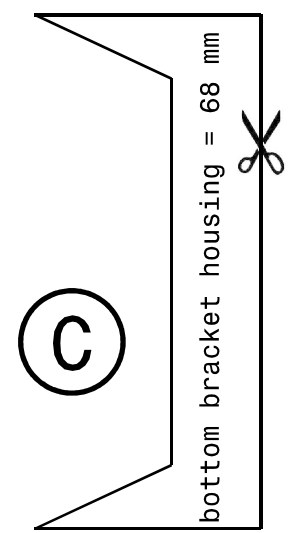
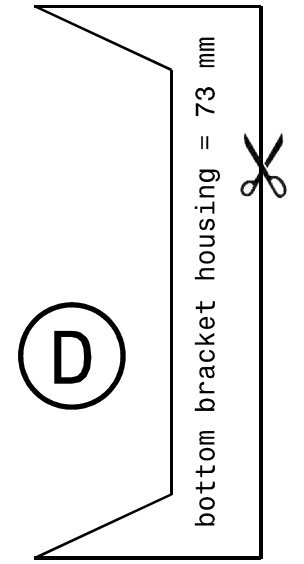
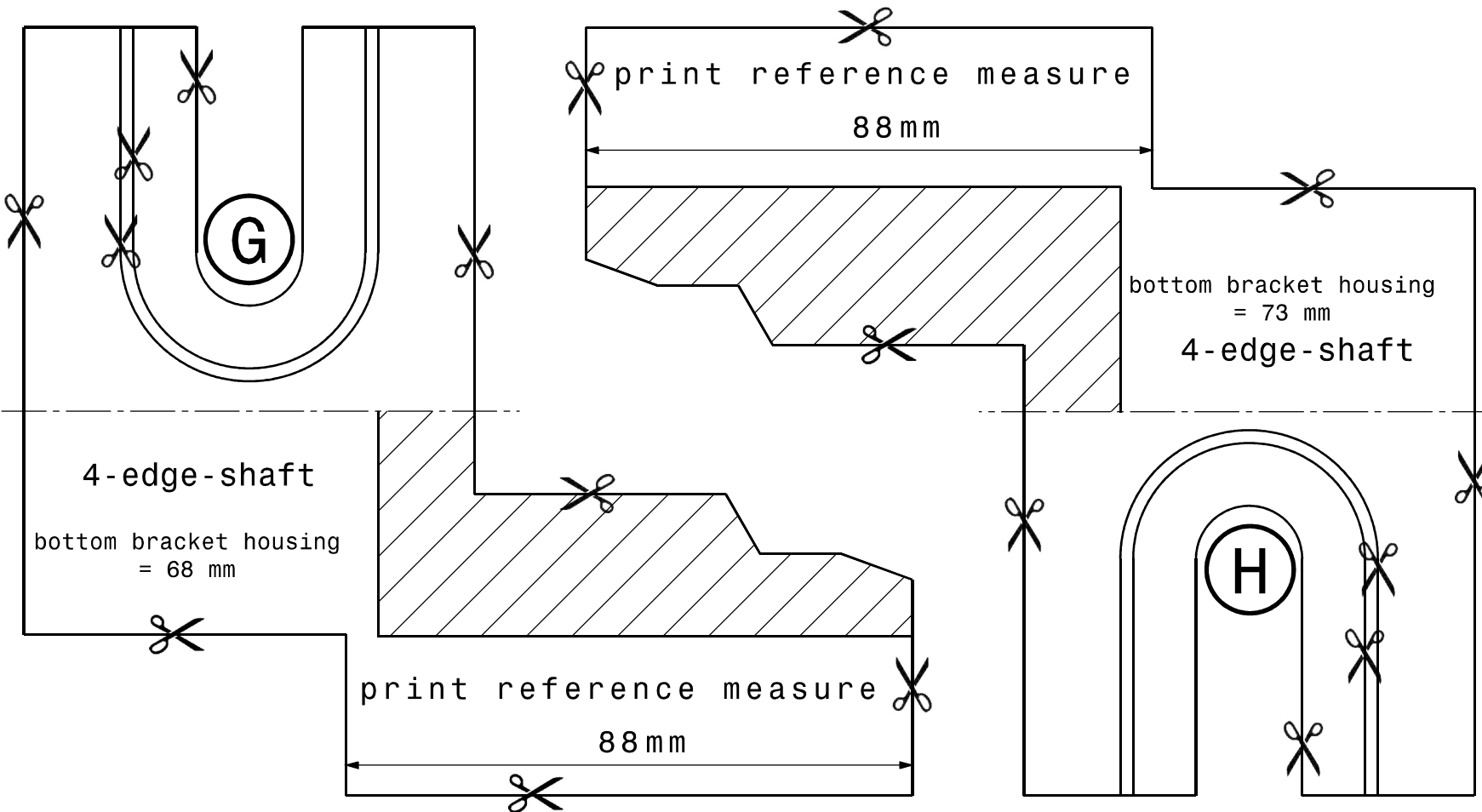
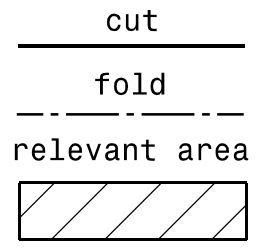
## 6. Checking of collisions by turning

- only shaded areas are relevant
- checking possible collisions with chain strut, kickstand, joints at fully bikes and so on

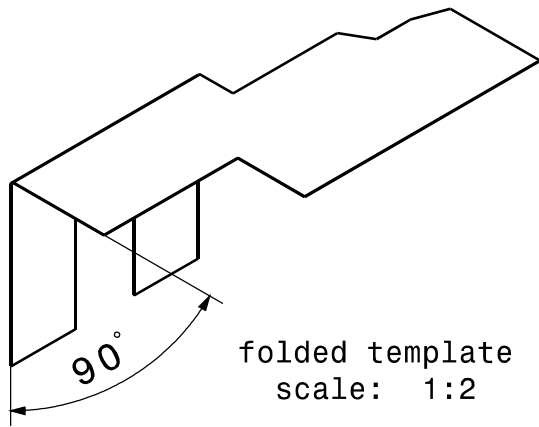




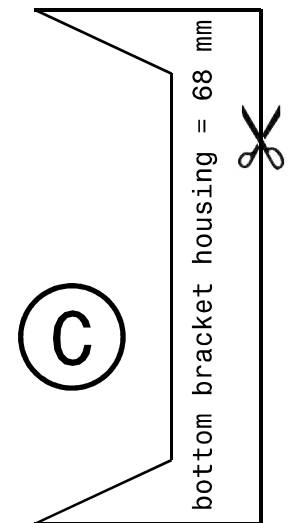
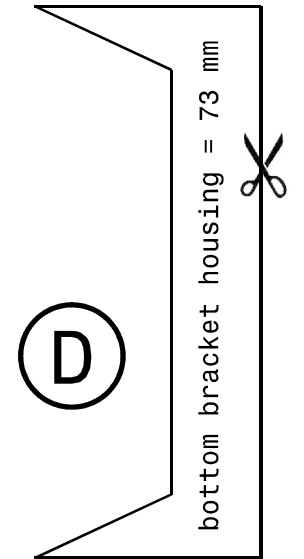
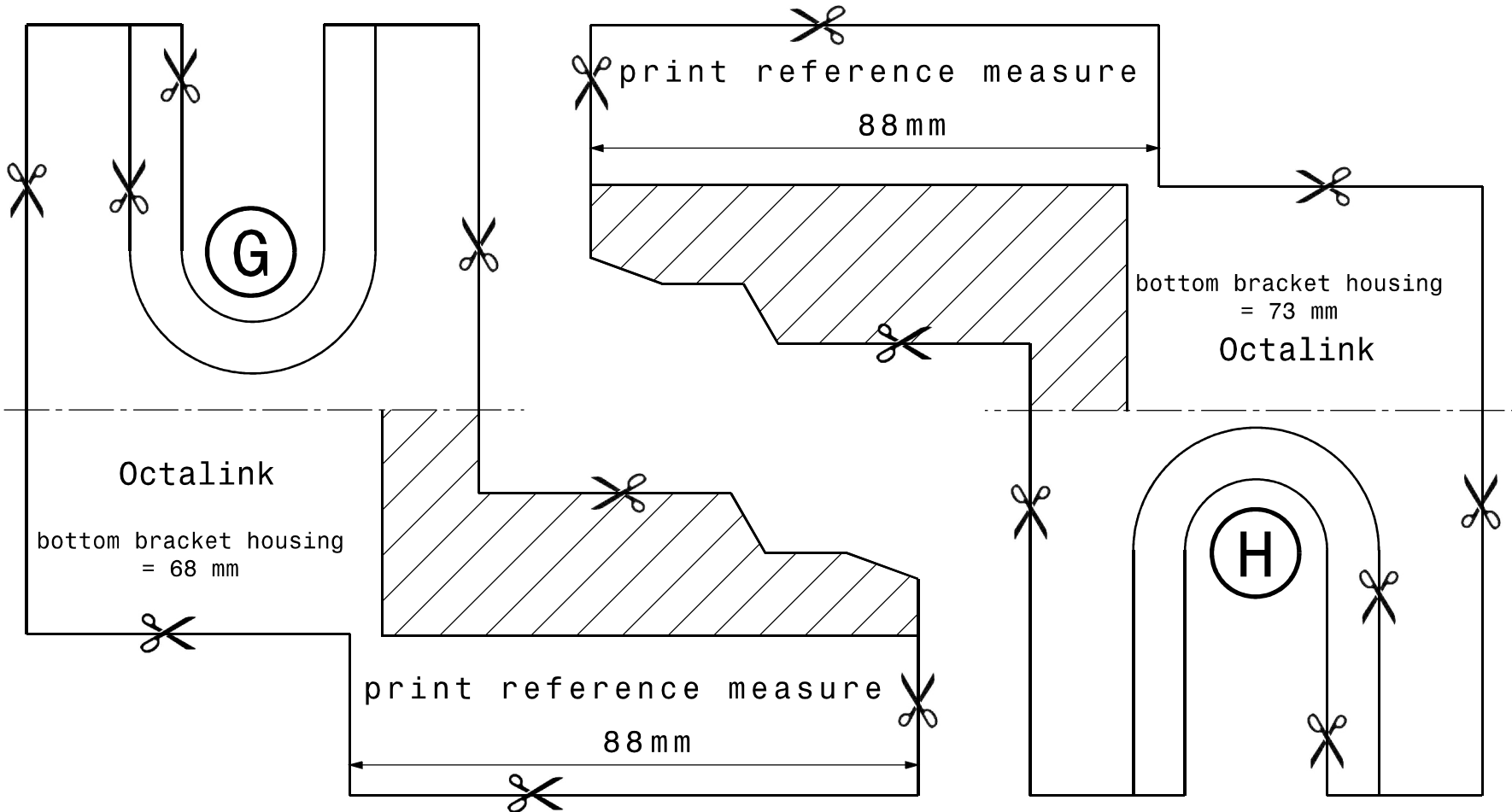
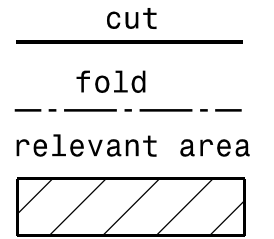
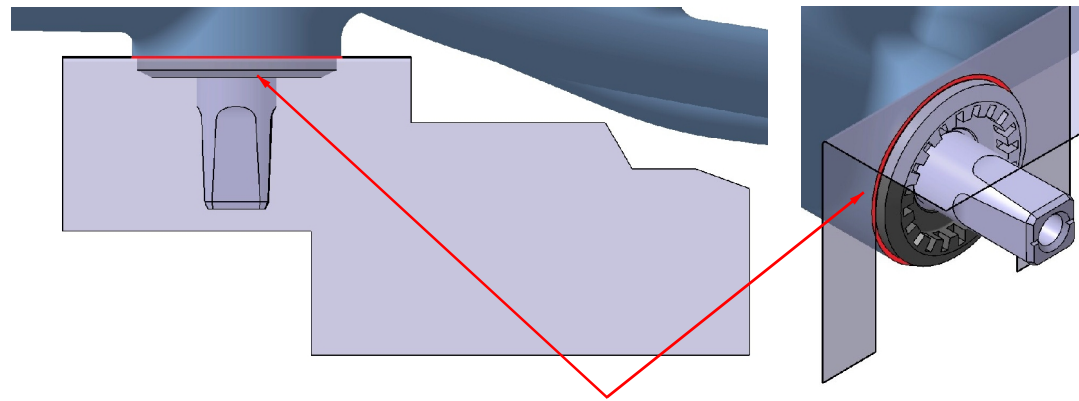
mount template at the **bottom bracket housing** for example 4-edge-shaft

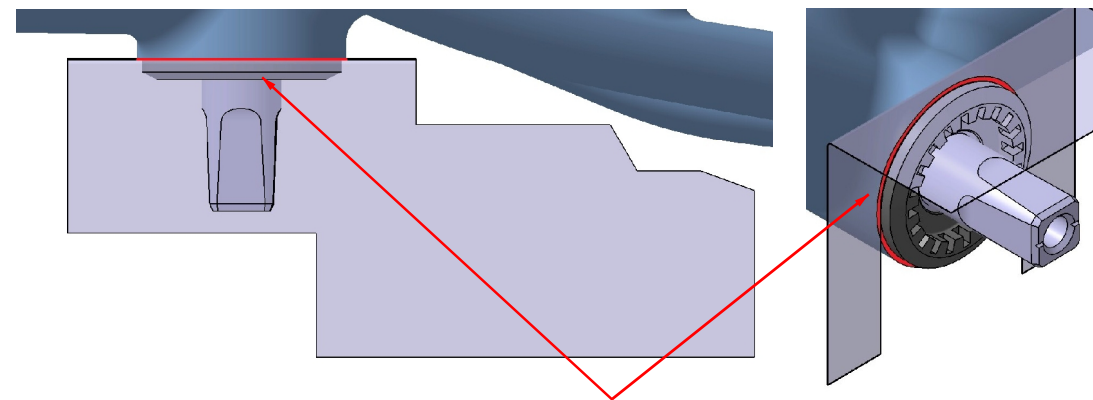
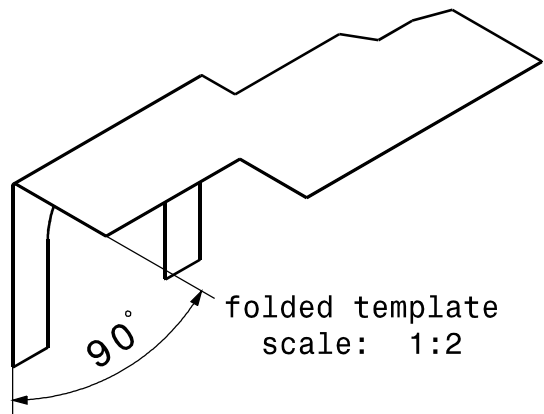






mount template at the **bottom bracket housing** for example 4-edge-shaft





mount template at the **bottom bracket housing** for example 4-edge-shaft

